

# 医疗及小零件加工解决方案

Manufacturing Solutions for Medical & Small Parts



+ 华东大区  
Eastern China Region

上海市青浦区华强街路三友星墅 203 弄272号 302 室  
Add: Room 302, No. 272, Lane 203, Sanyou Xingshu  
Huaqiang Street Road, Qingpu District, Shanghai  
Tel: +86-0592-3706375

+ 华南大区  
Southern China Region

广东省东莞市长安镇德政中路信义怡翠豪园9栋1单元902  
Add: 902, Unit 1, Building 9, Xinyi Yicui Haoyuan  
Dezheng Middle Road, Chang'an Town  
Dongguan City, Guangdong Province  
Tel: +86-0592-7310125

+ 西部大区  
West Region

四川省成都市龙泉驿区成都航空职业技术学院  
Add: Chengdu Aviation Vocational Technology College  
Longquanyi District, Chengdu City, Sichuan Province  
Tel: +86-0592-7301561

+ 华北大区  
Northern China Region

天津市河东区海河东路与八经路交口以东八经路81号  
中海钻石湾信和苑 11号楼11门4204室  
Add: Room 4204, Gate 1, Building 11, xinheyuan, Diamond Bay  
Hedong District, Tianjin, China  
Tel: +86-0529-7306375

+ 东北大区  
Northeast Region

辽宁省沈阳市铁西区建设东路158号华润铁西中心写字楼2109  
Add: No.2109(china Resources Tiexi Center)No.158 Jianshe East Road  
Tiexi District Shenyang City Liaoning Province  
Tel: +86-0592-7301126

+ 华中大区  
Central China Region

武汉经济技术开发区28R地块金色港湾4期26栋2号  
Add: No. 2, Building 26, Golden Harbor Phase 4, Block 28R  
Wuhan Economic and Technological Development Zone  
Tel: +86-0592-7310203

厦门金鹭特种合金有限公司  
XIAMEN GOLDEN EGRET SPECIAL ALLOY CO.,LTD.

地址: 中国厦门市湖里区兴隆路69号  
Add: No.69 Xinglong Road Huli District Xiamen CHINA  
工厂地址: 中国厦门同安工业集中区集成路1601-1629号  
Factory Add: No.1601-1629 Jicheng Road Industrial  
Concentration Area Tongan Xiamen CHINA  
Tel: +86-592-7107392 Fax: +86-592-7107322  
PC: 361006 Email: gesac@cxtc.com

[www.gesac.com.cn](http://www.gesac.com.cn)

 400-998-6858



GE202303j



厦门金鹭特种合金有限公司, 成立于 1989 年, 是一家中外合资的国家高新技术企业, 隶属于中国六大稀土集团之一的厦门钨业股份有限公司。公司致力于高品质钨粉末材料、硬质合金、精密切削工具等钨系列产品的研发、生产, 以及行业专业解决方案的提供, 是世界知名的钨粉末、硬质合金及切削工具供应商。

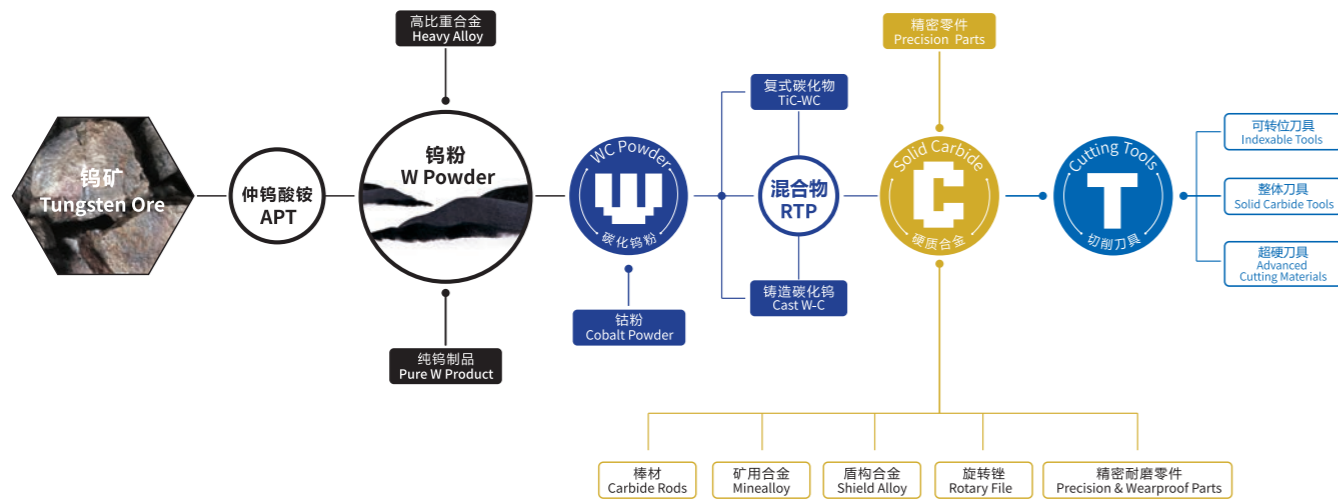
凭借完整钨产业链的产品集成技术研发, 以及务实、创新的管理理念, 厦门金鹭始终保持着强劲的发展势头, 为全球用户提供最高性价比的产品和服务, 为现代工业领域解决高硬度、耐高温、耐磨损问题, 提供了优良的产品和完善的解决方案, 客户遍布全球四十多个工业发达国家和地区, 享誉海内外。

公司拥有国内 4 个生产基地和 1 个国家级企业研发中心, 海外 3 个销售公司和 1 个海外生产基地, 独立承担并完成多项“国家科技支撑计划项目”, “国家科技重大专项”, “国家火炬计划项目”, “国家重点新产品”开发项目及省市重点研究课题, 被评为“战略性新兴产业骨干企业”、“创新型企业”、“先进科技企业”。

Xiamen Golden Egret Special Alloy Co., Ltd. (GESAC), founded in 1989, is a Sino-foreign joint venture with national high-tech, affiliated with XTC, which is one of six major rare earth groups in China. GESAC is committed to research & development, production and professional solutions providing of high-quality tungsten powder materials, cemented carbide, precision cutting tools and other tungsten products. Up to now, GESAC has become world-famous manufacturer and supplier of tungsten powder, cemented carbide and precision cutting tools products.

With the Integrated Product Development of complete tungsten industry chain, as well as a pragmatic and innovative management concept, GESAC has always maintained a strong momentum of development, providing the cost effective tungsten powder products and services for global users, offering the excellent products and perfect solutions for solving high hardness, high temperature resistance and wear resistance topics. Our brand "Golden Egret" has become one of the leading brand in the market, enjoying famous reputation in more than 40 countries and regions.

GESAC owns four production headquarters and one national level research center domestically, and three sales branches and one production base overseas. We undertook and completed several development programs independently, including the "National Science and Technology Support Programs", the "National Torch Program Projects", and the "National Key Projects" and so on. GESAC was awarded as "Key Enterprise for Strategic Emerging Industry", "Innovative Enterprise" and "Enterprise with Advanced Technology".

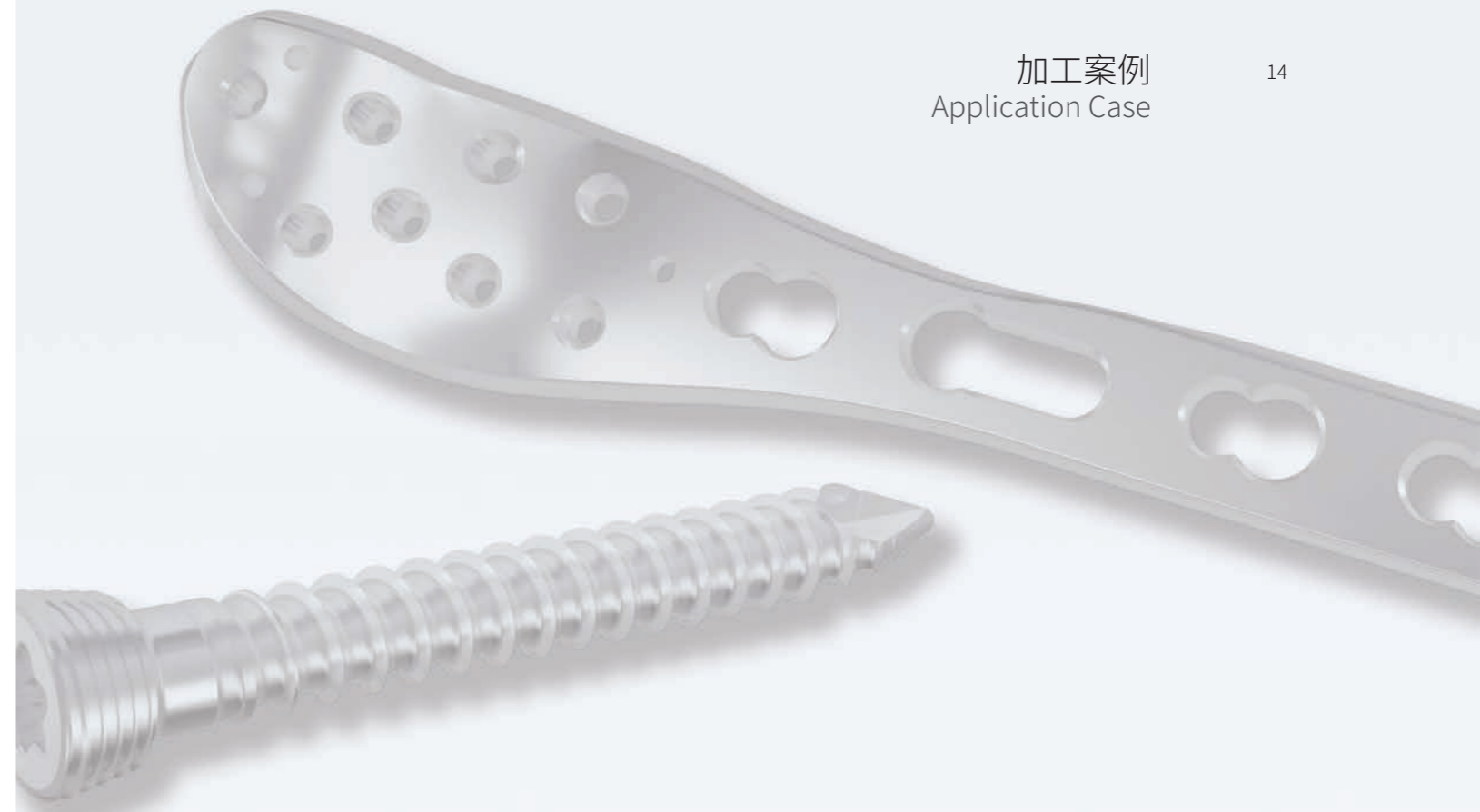


加工解决方案  
Manufacturing Solutions

接骨板 Bone plate	04
接骨板螺钉 Screws	06
脊柱固定器钉套 Fixator Sleeve	08
膝关节置换组件 Knee Replacement Components	10
摄像头环 Camera Ring	12

加工案例  
Application Case

14



### 孔、槽铣削 Hole and Groove Milling

- 钛合金精加工立铣刀  
Titanium alloy finishing endmills



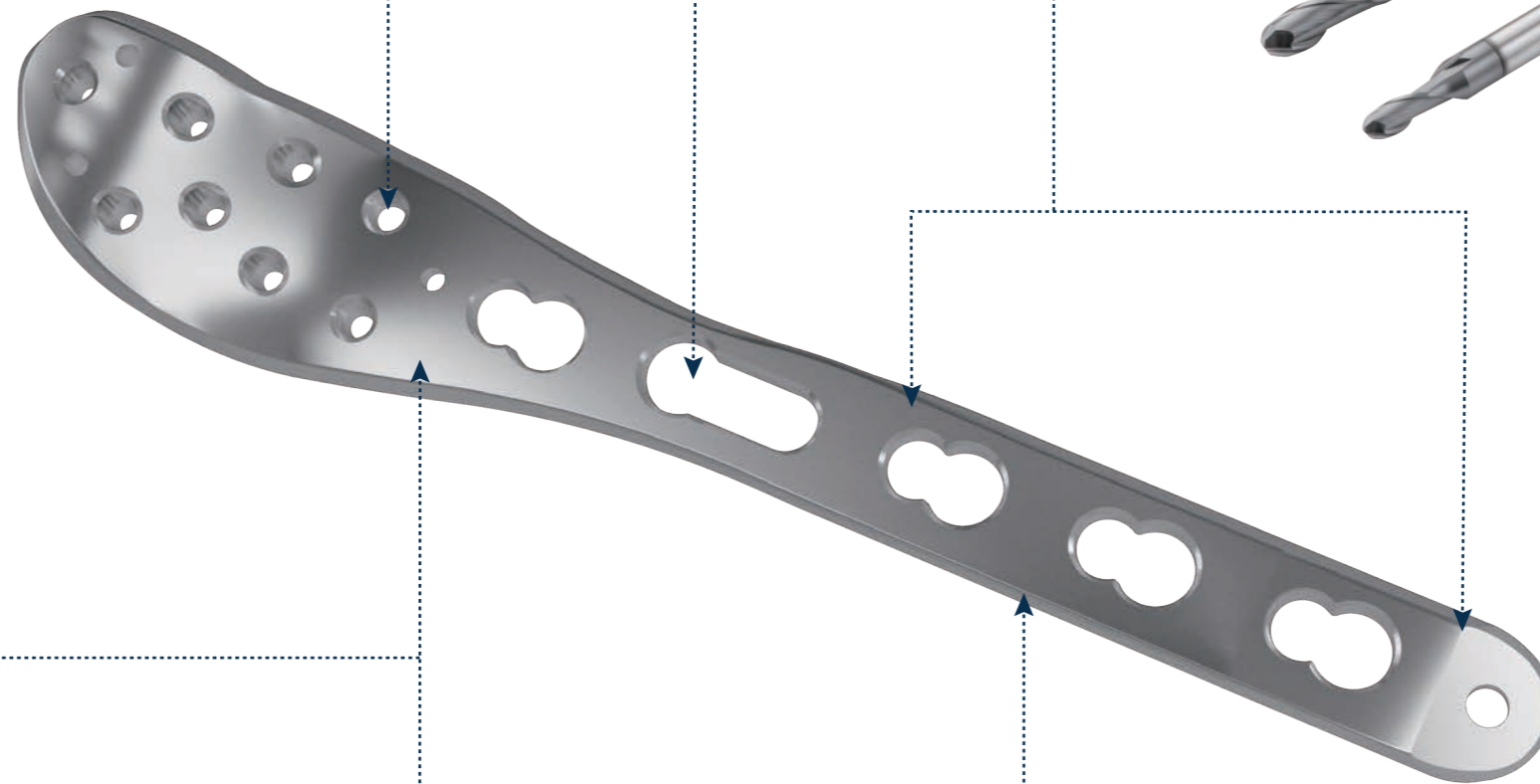
### 外型精加工 External Finishing

- 钛合金精加工立铣刀  
Titanium alloy finishing endmills

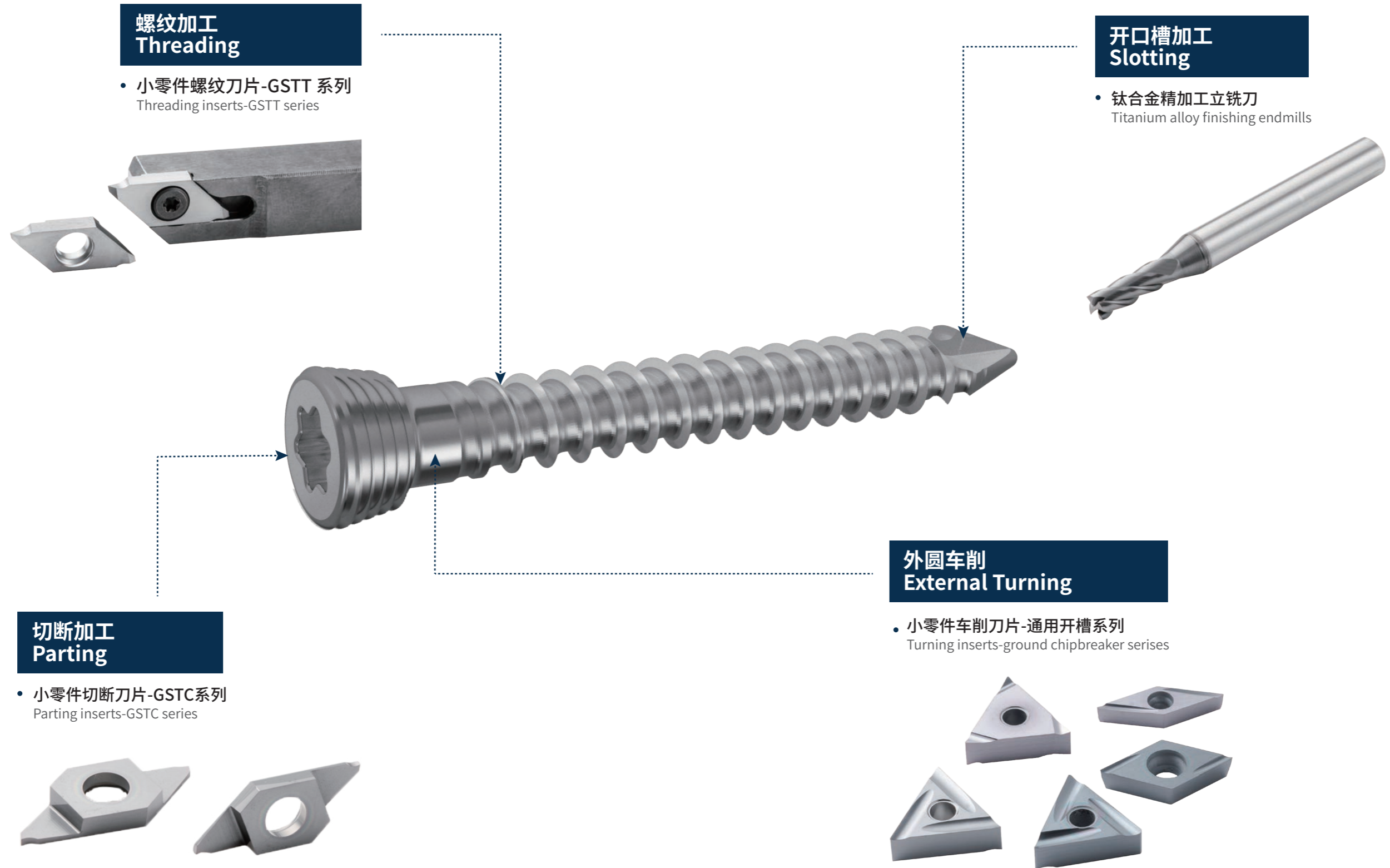


### 外型粗加工 External Roughing

- SS600-R5  
高性能圆角头立铣刀  
High performance endmills







**平面槽加工  
Plane Slotting**

- 高效加工立铣刀  
High efficiency endmills



**内槽加工  
Inner Grooving**

- 整体切槽刀具  
Solid tool for grooving



**开口槽加工  
Slotting**

- 高效加工立铣刀  
High efficiency endmills



**内螺纹加工  
Internal Threading**

- 整体螺纹刀具  
Solid tool for threading



**中心孔加工  
Central Hole Making**

- 阶梯硬质合金麻花钻  
Step solid drills
- 整体内镗刀具  
Solid tool for boring



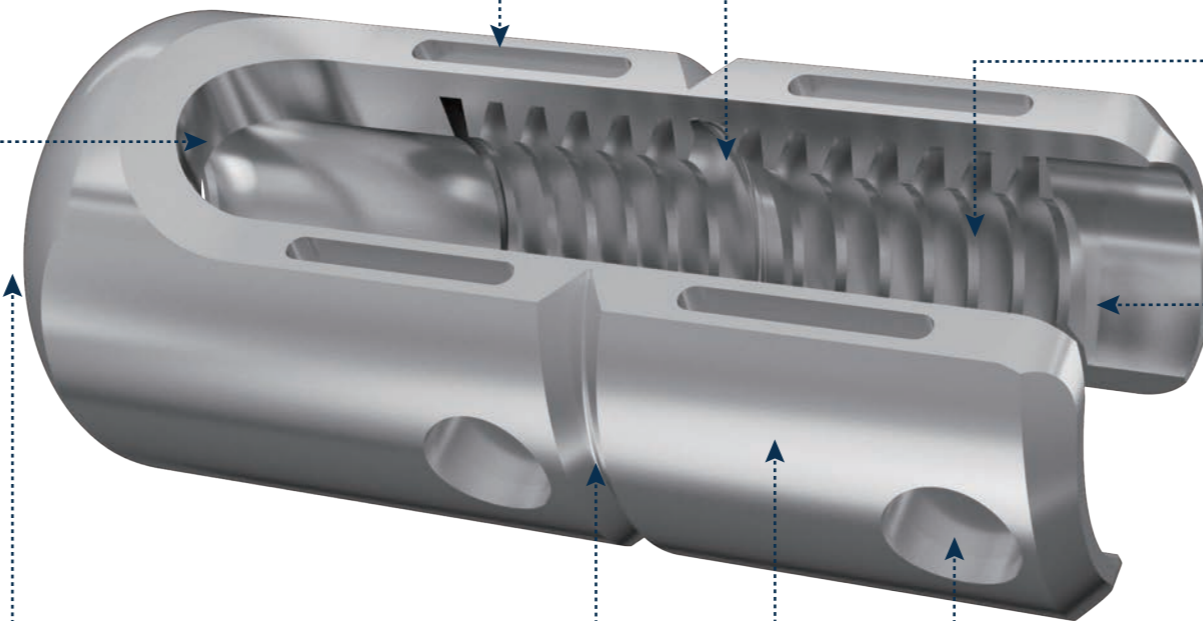
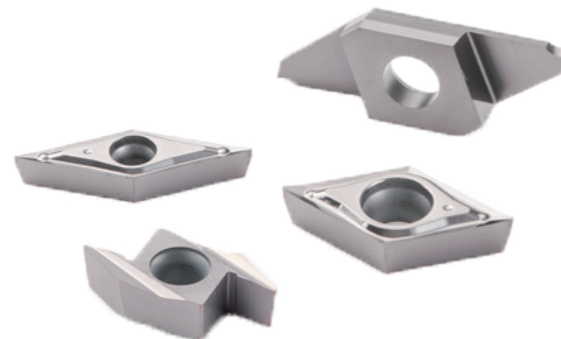
**侧边孔铣削  
Side Hole Milling**

- 高效加工立铣刀  
High efficiency endmills



**外圆、V槽、端面加工  
External, V Grooving and Facing**

- 小零件车削刀片-三维断屑槽系列  
Turning inserts-3D chipbreaker series
- 小零件背车刀片-GSAB系列  
Back turning inserts-GSAB series
- 小零件切断刀片-GSTC系列  
Parting inserts-GSTC series





**股骨假体外表面粗加工  
External Rough Machining**

- 钴铬钼球头高性能立铣刀  
CoCrMo High performance endmills



**股骨假体凹槽加工  
Groove Processing**

- 钴铬钼锥度球头立铣刀  
CoCrMo Taper ball endmills



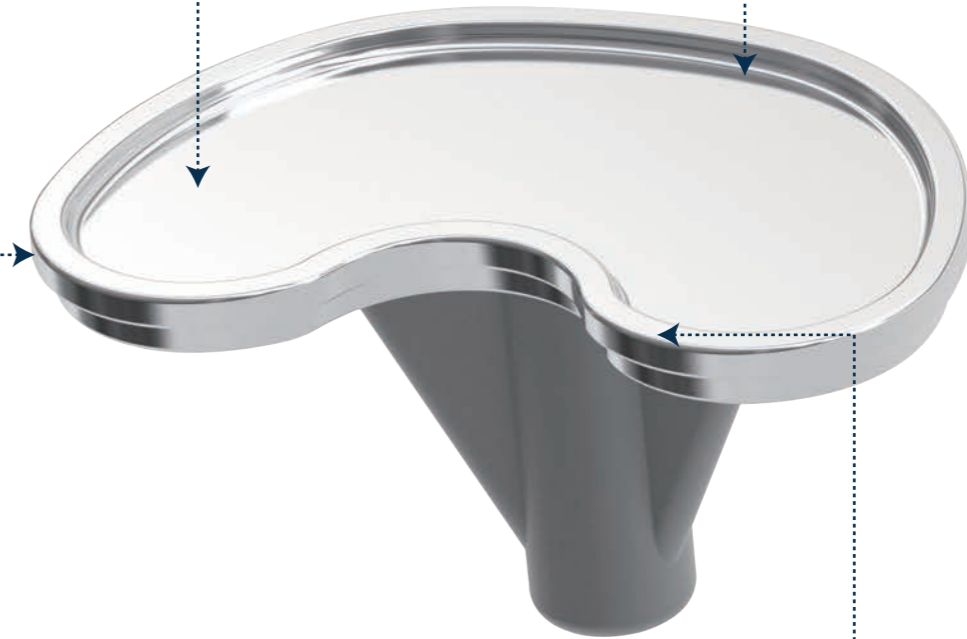
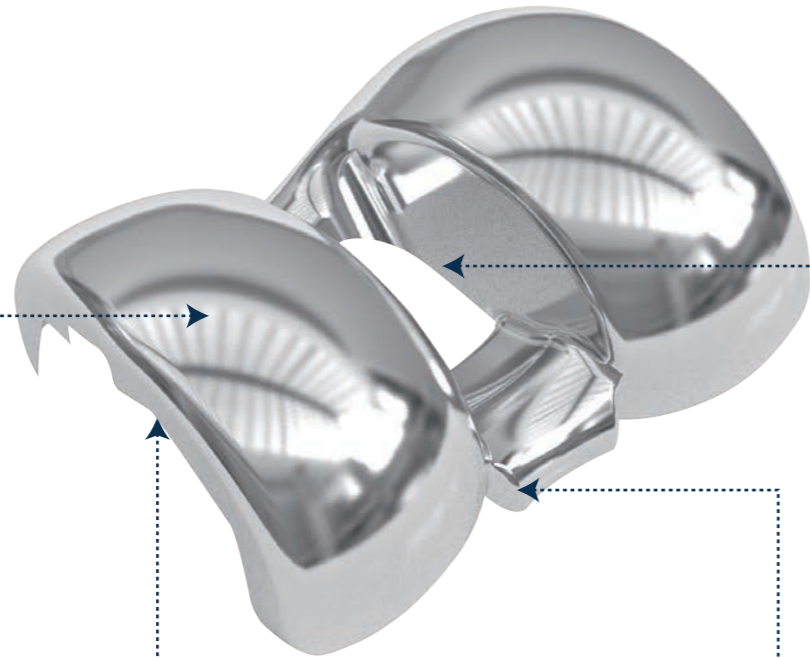
**胫骨平台底面精加工  
Plane Machining**

- 钴铬钼精加工立铣刀  
CoCrMo Finishing endmills



**胫骨平台T型槽加工  
T Groove Processing**

- 钴铬钼T型立铣刀  
CoCrMo T-slot endmills



**股骨假体侧壁精加工  
Sidewall Finishing**

- 钴铬钼精加工立铣刀  
CoCrMo Finishing endmills



**股骨假体凹槽部分精加工  
Groove Finishing**

- 钴铬钼精加工球头立铣刀  
CoCrMo Finishing endmills



**胫骨平台平面/外圆粗加工  
External Rough Machining**

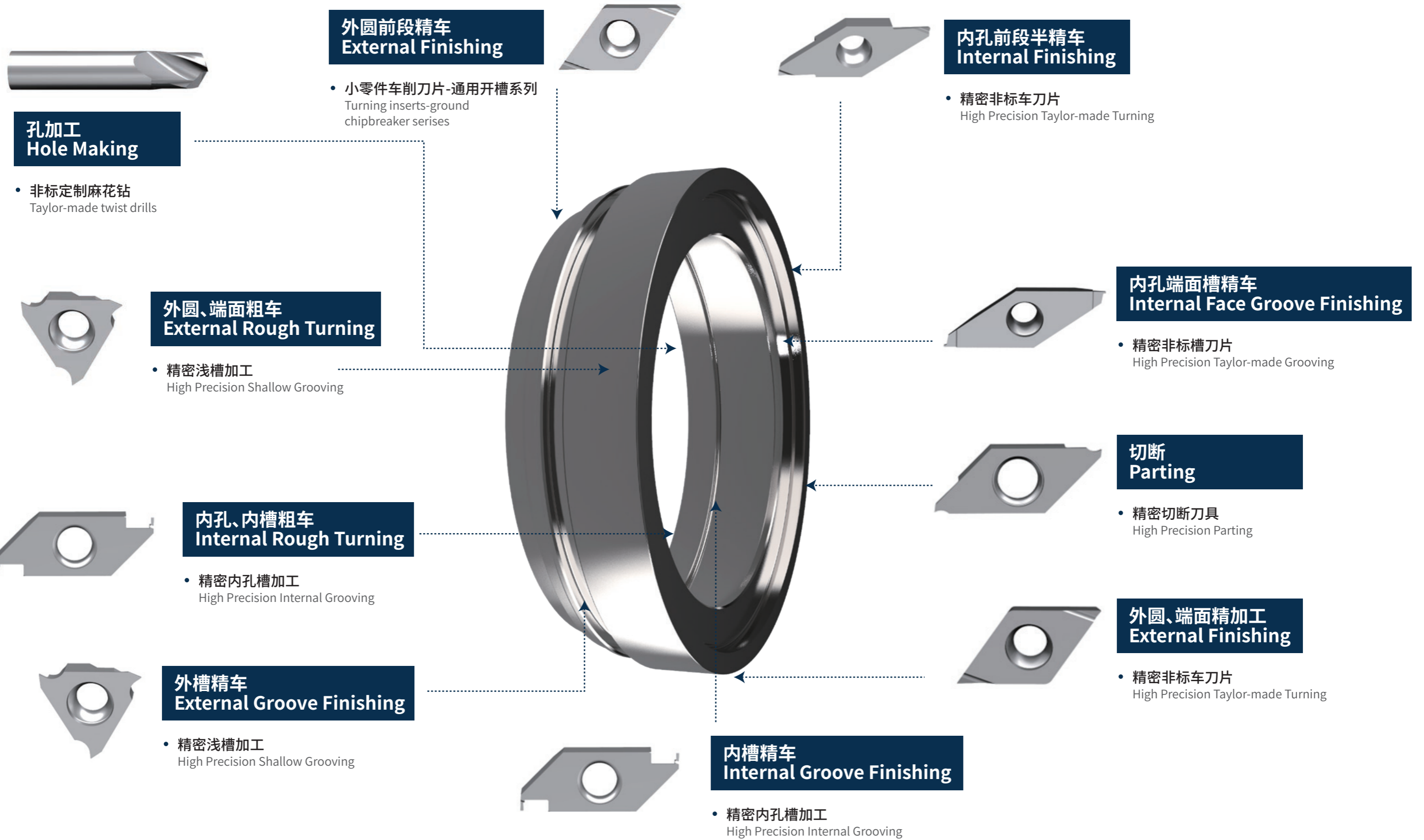
- 钴铬钼高性能加工立铣刀  
CoCrMo High performance endmills



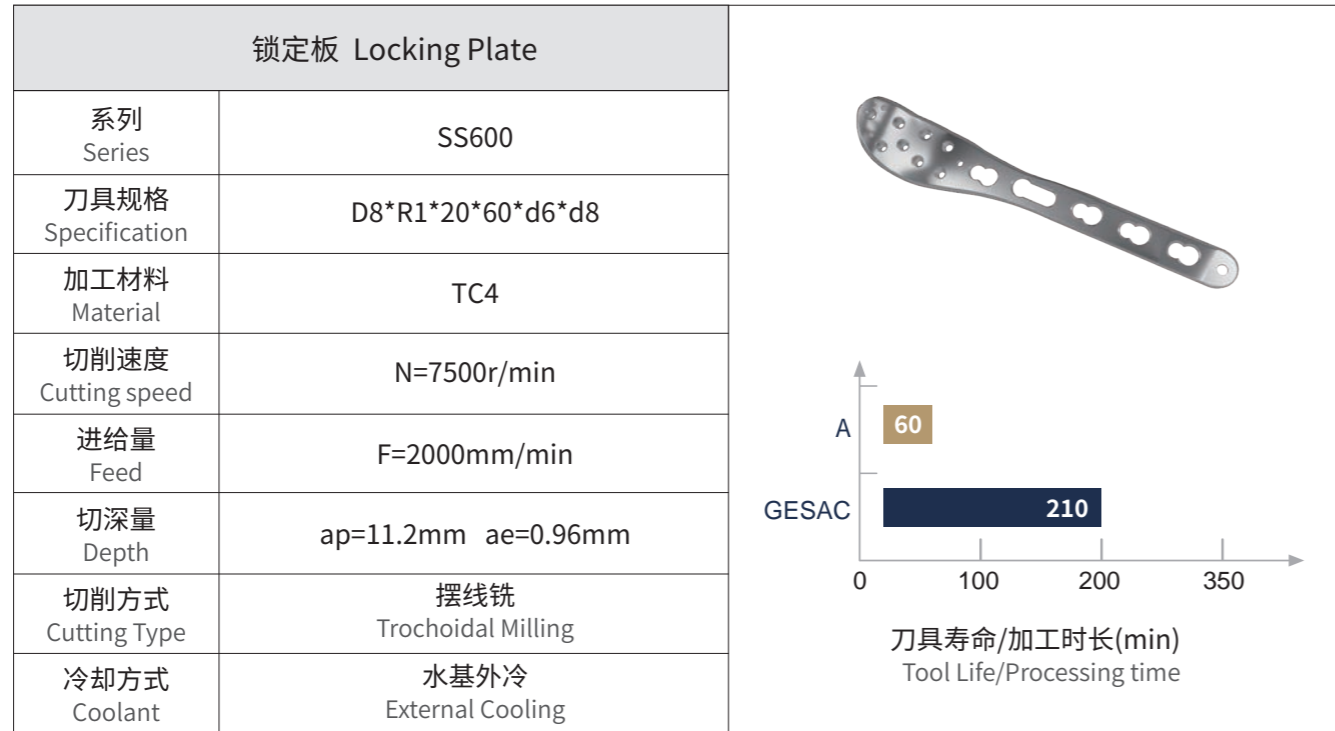
**胫骨平台外圆精加工  
External Finishing**

- 钴铬钼精加工立铣刀  
CoCrMo Finishing endmills

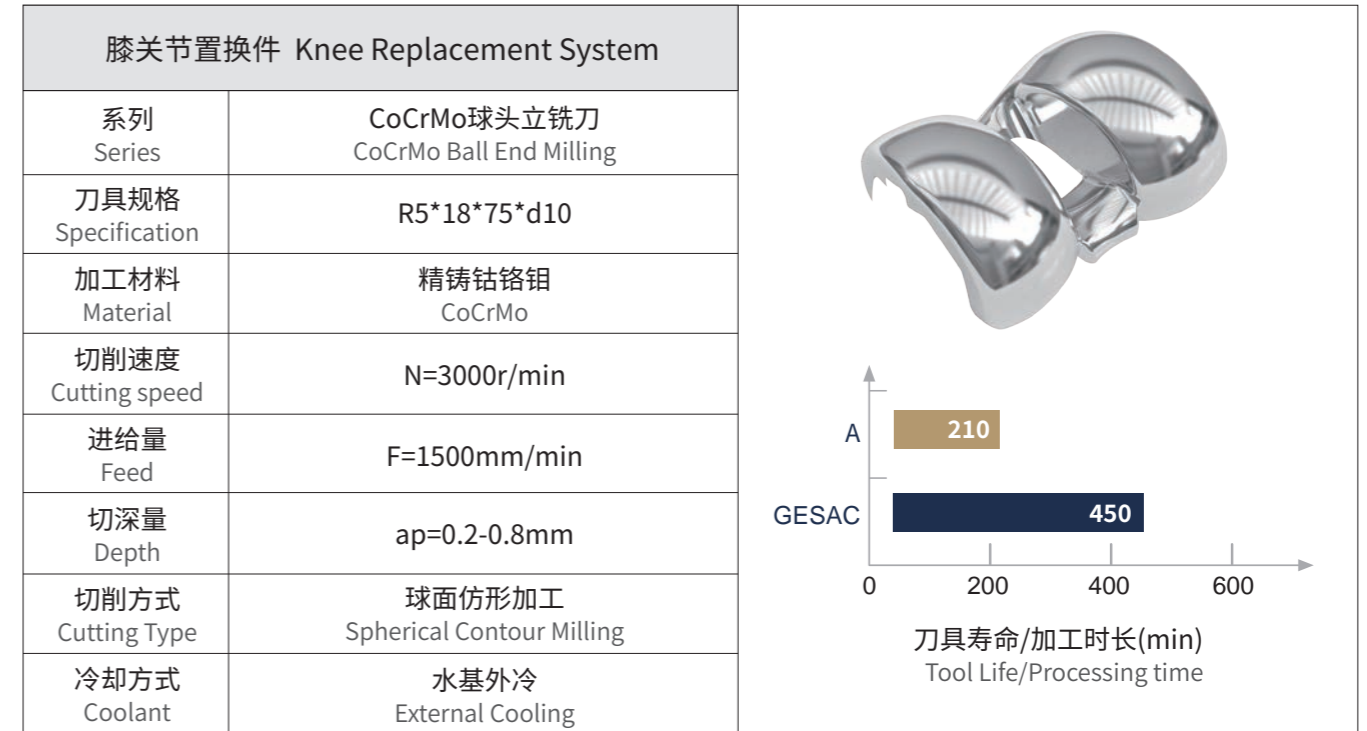




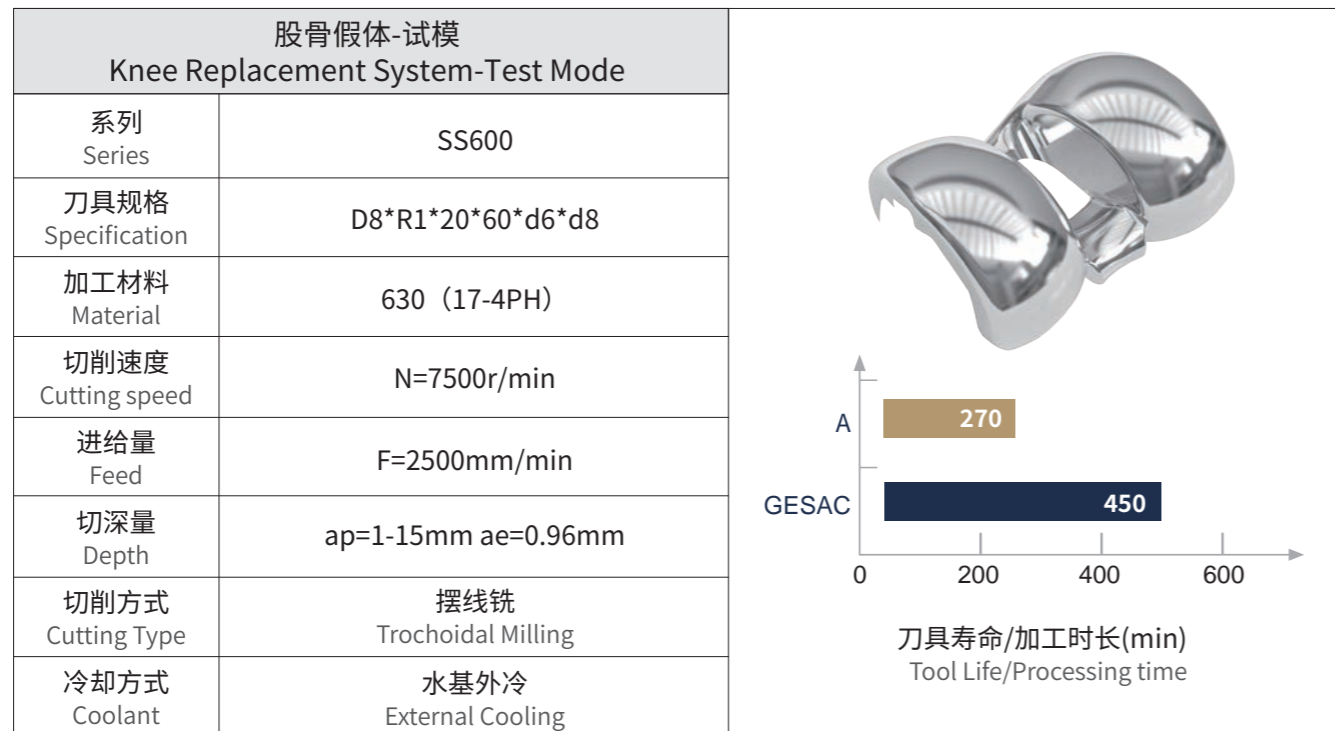
接骨板粗加工  
Locking Plate Roughing



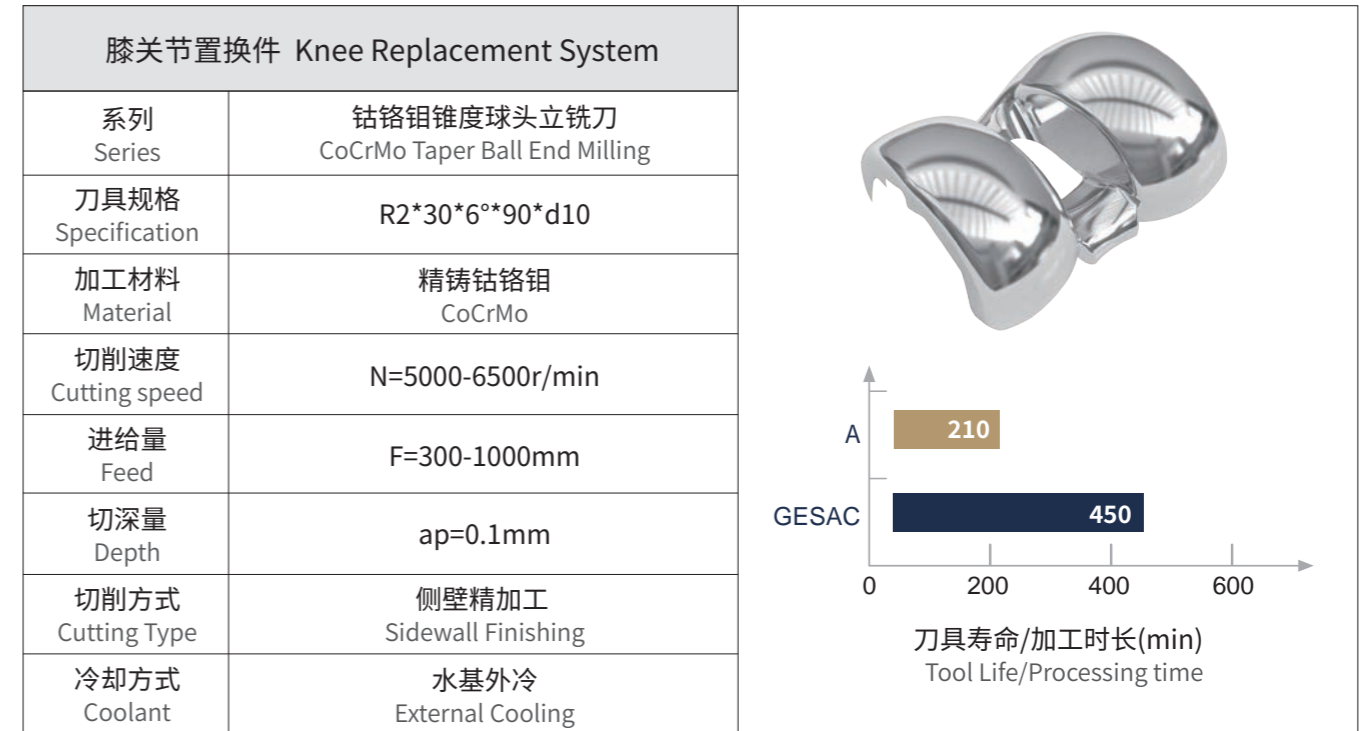
膝关节粗加工  
Knee-joint Roughing



手术器械粗加工  
Surgical Instruments Roughing

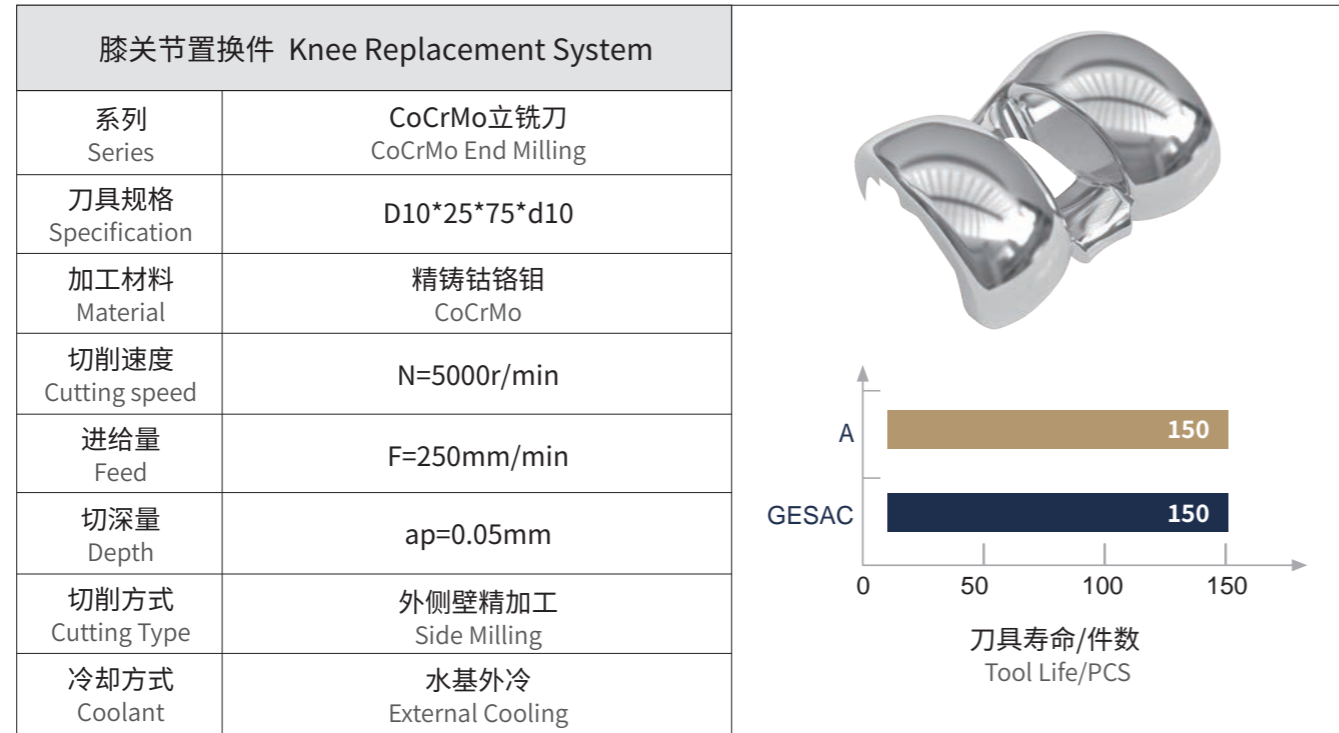


膝关节精加工  
Knee-joint Finishing

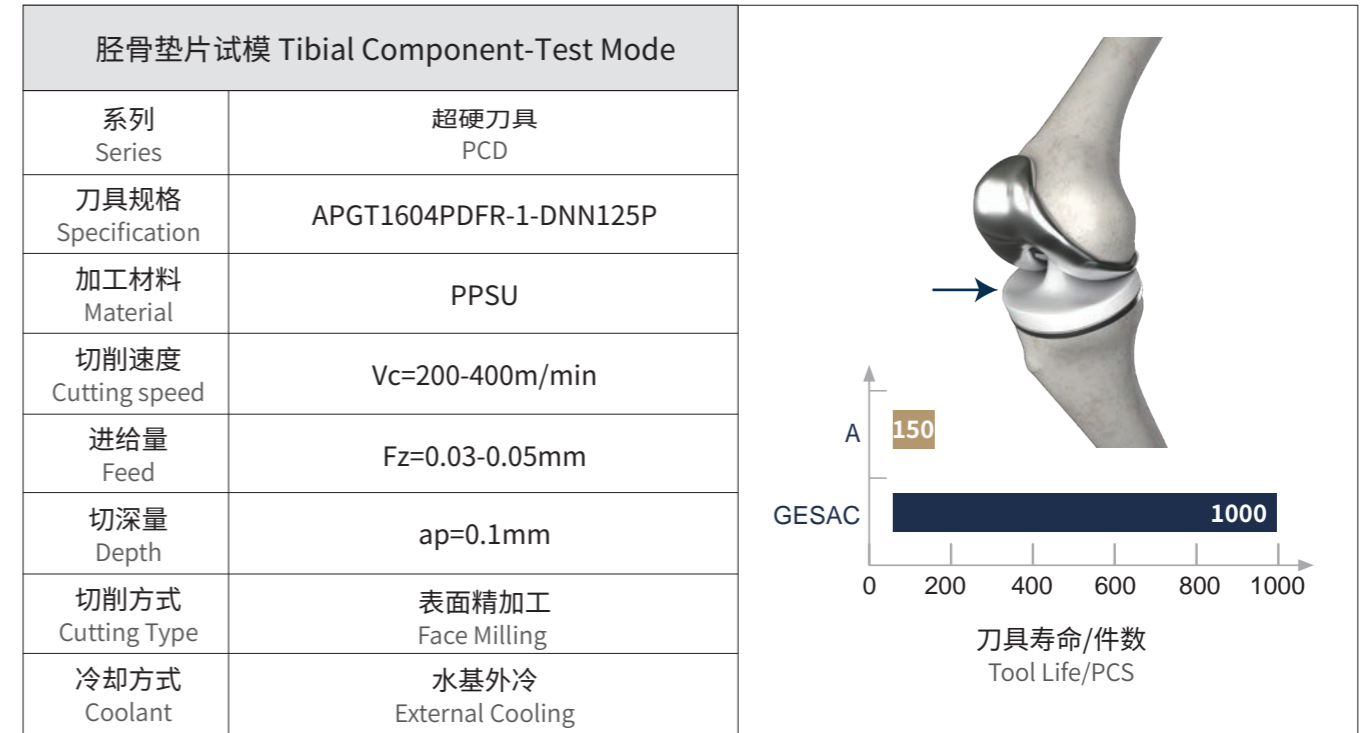




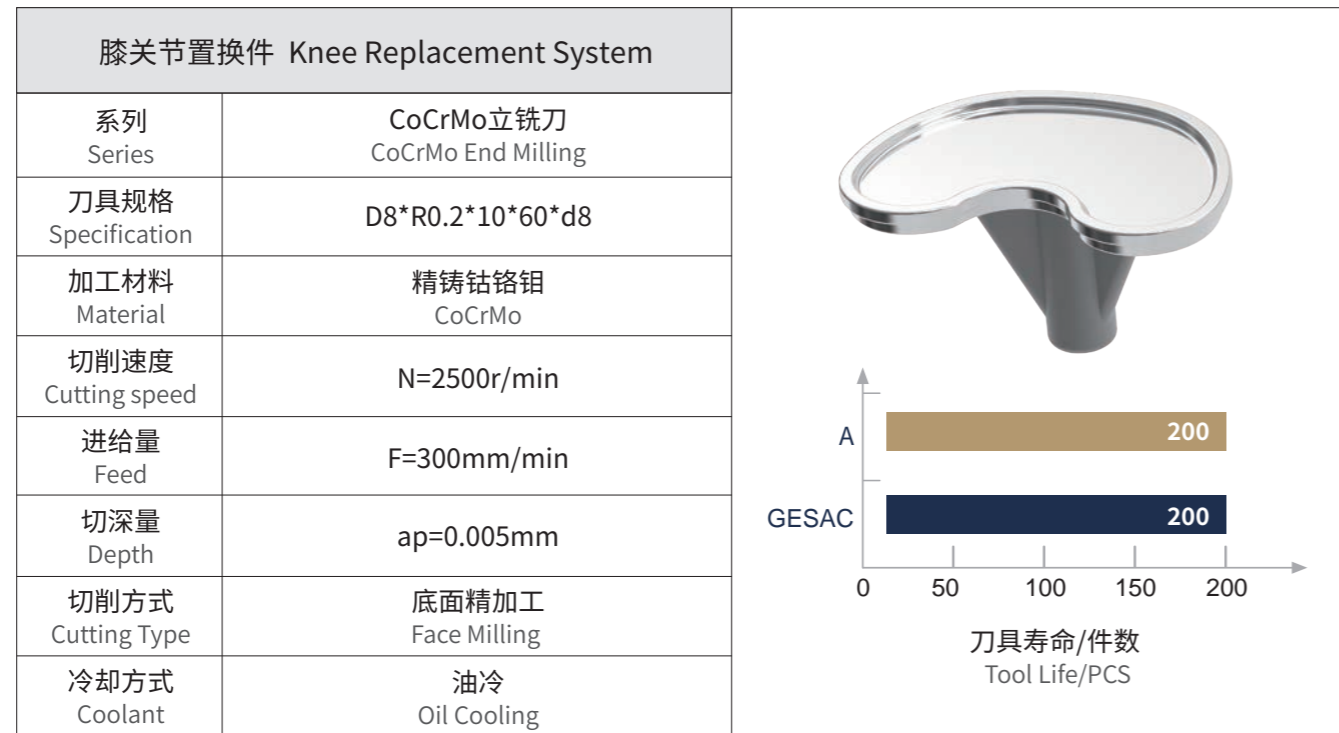
膝关节精加工  
Knee-joint Finishing



胫骨垫片精加工  
Tibial Component Finishing



膝关节精加工  
Knee-joint Finishing



手术器械切断加工  
Surgical Instrument Parting

