

模具行业加工解决方案

Manufacturing Solutions for Mould Industry



+ 华东大区
Eastern China Region

上海市青浦区华强街路三友星墅 203 弄272号 302 室
Add: Room 302, No. 272, Lane 203, Sanyou Xingshu
Huaqiang Street Road, Qingpu District, Shanghai
Tel: +86-0592-3706375

+ 华南大区
Southern China Region

广东省东莞市长安镇德政中路信义怡翠豪园9栋1单元902
Add: 902, Unit 1, Building 9, Xinyi Yicui Haoyuan
Dezheng Middle Road, Chang'an Town
Dongguan City, Guangdong Province
Tel: +86-0592-7310125

+ 西部大区
West Region

四川省成都市龙泉驿区成都航空职业技术学院
Add: Chengdu Aviation Vocational Technology College
Longquanyi District, Chengdu City, Sichuan Province
Tel: +86-0592-7301561

+ 华北大区
Northern China Region

天津市河东区海河东路与八经路交口以东八经路81号
中海钻石湾信和苑 11号楼11门4204室
Add: Room 4204, Gate 1, Building 11, xinheyuan, Diamond Bay
Hedong District, Tianjin, China
Tel: +86-0529-7306375

+ 东北大区
Northeast Region

辽宁省沈阳市铁西区建设东路158号华润铁西中心写字楼2109
Add: No.2109(china Resources Tiexi Center)No.158 Jianshe East Road
Tiexi District Shenyang City Liaoning Province
Tel: +86-0592-7301126

+ 华中大区
Central China Region

武汉经济技术开发区28R地块金色港湾4期26栋2号
Add: No. 2, Building 26, Golden Harbor Phase 4, Block 28R
Wuhan Economic and Technological Development Zone
Tel: +86-0592-7310203

厦门金鹭特种合金有限公司
XIAMEN GOLDEN EGRET SPECIAL ALLOY CO.,LTD.

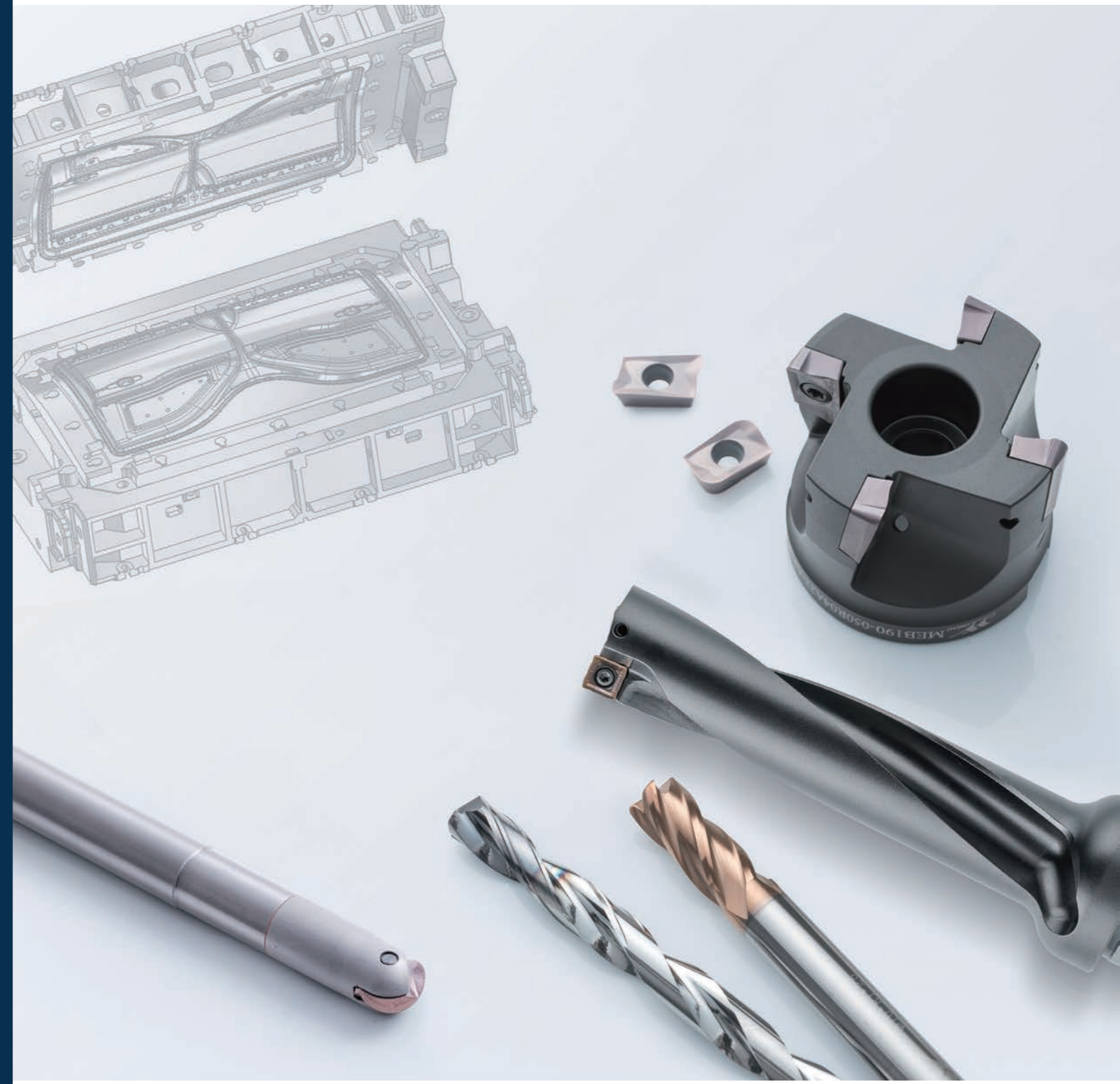
地址: 中国厦门市湖里区兴隆路69号
Add: No.69 Xinglong Road Huli District Xiamen CHINA
工厂地址: 中国厦门同安工业集中区集成路1601-1629号
Factory Add: No.1601-1629 Jicheng Road Industrial
Concentration Area Tongan Xiamen CHINA
Tel: +86-592-7107392 Fax: +86-592-7107322
PC: 361006 Email: gesac@cxtc.com

www.gesac.com.cn

400-998-6858



GE202303g



厦门金鹭特种合金有限公司, 成立于 1989 年, 是一家中外合资的国家高新技术企业, 隶属于中国六大稀土集团之一的厦门钨业股份有限公司。公司致力于高品质钨粉末材料、硬质合金、精密切削工具等钨系列产品的研发、生产, 以及行业专业解决方案的提供, 是世界知名的钨粉末、硬质合金及切削工具供应商。

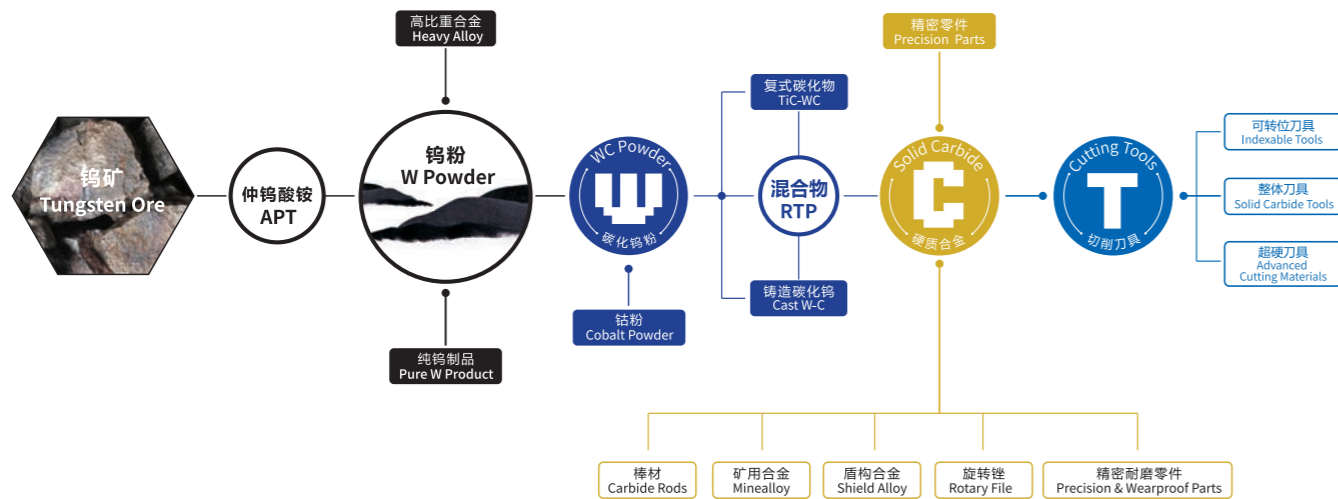
凭借完整钨产业链的产品集成技术研发, 以及务实、创新的管理理念, 厦门金鹭始终保持着强劲的发展势头, 为全球用户提供最高性价比的产品和服务, 为现代工业领域解决高硬度、耐高温、耐磨损问题, 提供了优良的产品和完善的解决方案, 客户遍布全球四十多个工业发达国家和地区, 享誉海内外。

公司拥有国内 4 个生产基地和 1 个国家级企业研发中心, 海外 3 个销售公司和 1 个海外生产基地, 独立承担并完成多项“国家科技支撑计划项目”, “国家科技重大专项”, “国家火炬计划项目”, “国家重点新产品”开发项目及省市重点研究课题, 被评为“战略性新兴产业骨干企业”、“创新型企业”、“先进科技企业”。

Xiamen Golden Egret Special Alloy Co., Ltd. (GESAC), founded in 1989, is a Sino-foreign joint venture with national high-tech, affiliated with XTC, which is one of six major rare earth groups in China. GESAC is committed to research & development, production and professional solutions providing of high-quality tungsten powder materials, cemented carbide, precision cutting tools and other tungsten products. Up to now, GESAC has become world-famous manufacturer and supplier of tungsten powder, cemented carbide and precision cutting tools products.

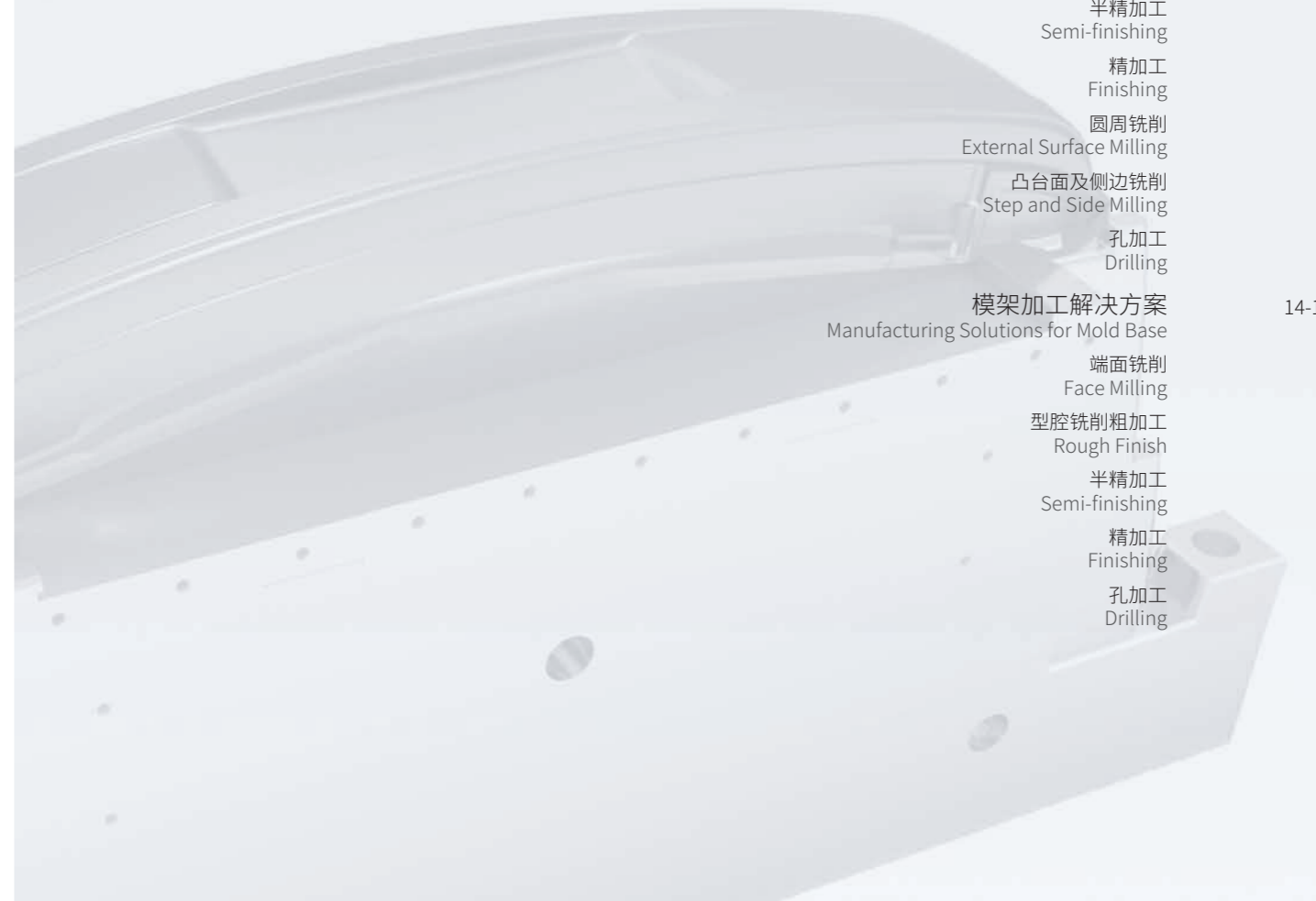
With the Integrated Product Development of complete tungsten industry chain, as well as a pragmatic and innovative management concept, GESAC has always maintained a strong momentum of development, providing the cost effective tungsten powder products and services for global users, offering the excellent products and perfect solutions for solving high hardness, high temperature resistance and wear resistance topics. Our brand "Golden Egret" has become one of the leading brand in the market, enjoying famous reputation in more than 40 countries and regions.

GESAC owns four production headquarters and one national level research center domestically, and three sales branches and one production base overseas. We undertook and completed several development programs independently, including the “National Science and Technology Support Programs”, the “National Torch Program Projects”, and the “National Key Projects” and so on. GESAC was awarded as “Key Enterprise for Strategic Emerging Industry”, “Innovative Enterprise” and “Enterprise with Advanced Technology”.



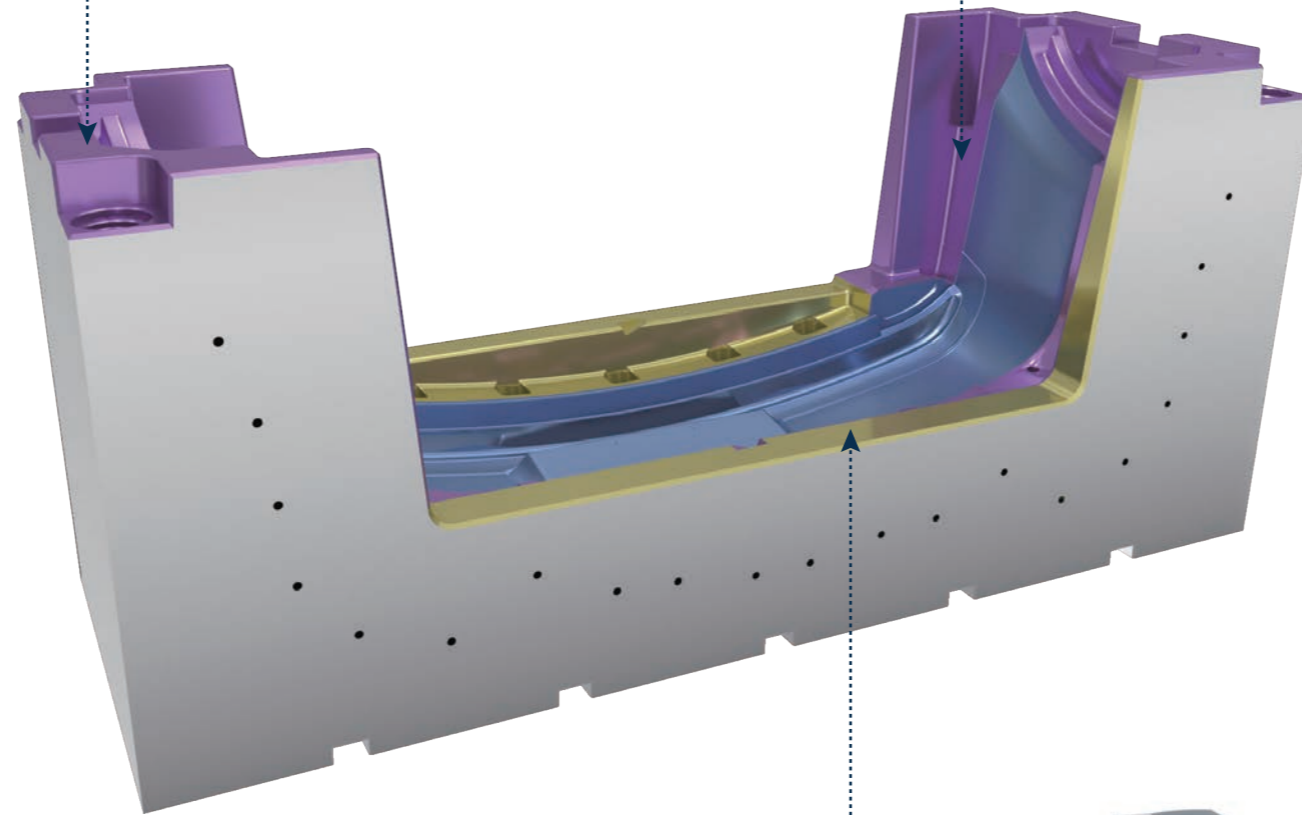
加工解决方案 Manufacturing Solutions

塑料模具加工解决方案 Manufacturing Solutions for Plastic Mold Processing	02-07
粗加工 Rough Finish	
半精加工 Semi-finishing	
精加工 Finishing	
孔加工 Drilling	
深孔加工 Deep Hole Drilling	
冲压模具加工解决方案 Manufacturing Solutions for Stamping Die	08-13
端面铣削 Face Milling	
粗加工 Rough Finish	
半精加工 Semi-finishing	
精加工 Finishing	
圆周铣削 External Surface Milling	
凸台面及侧边铣削 Step and Side Milling	
孔加工 Drilling	
模架加工解决方案 Manufacturing Solutions for Mold Base	14-17
端面铣削 Face Milling	
型腔铣削粗加工 Rough Finish	
半精加工 Semi-finishing	
精加工 Finishing	
孔加工 Drilling	



**铣削粗加工
Rough Milling**

- RD/RP+MPA100/MPB100
通用仿形铣削加工
Universal Profile Milling



**铣削粗加工
Rough Milling**

- APMT+MEA190
通用方肩铣削加工
Universal Shoulder Milling



**铣削粗加工
Rough Milling**

- SDMT+MKB113
快进给铣削加工
High-feed Milling



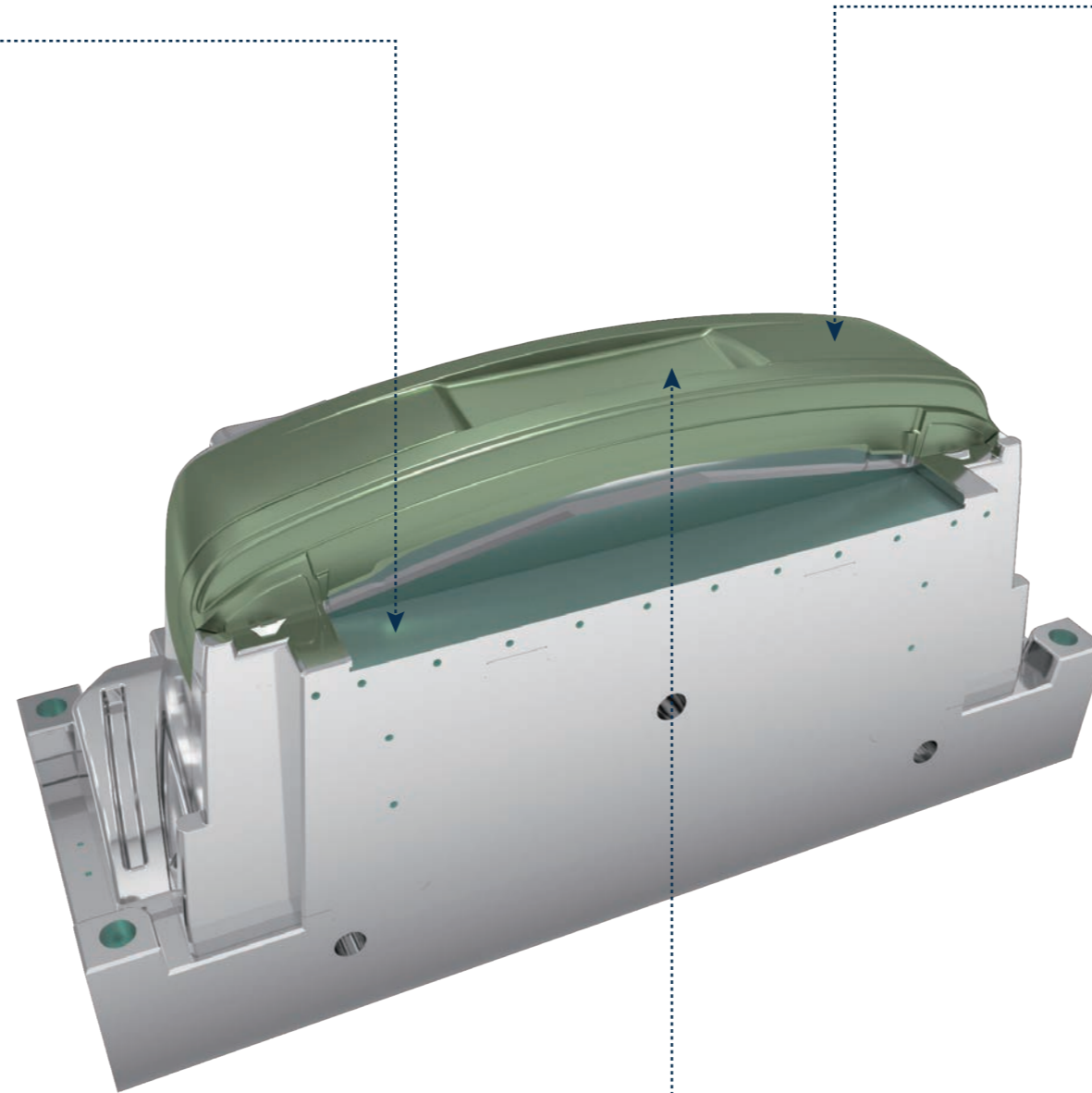
**半精加工
Semi-finishing**

- APKT+MEB190
通用方肩铣削加工
Universal Shoulder Milling



**精加工
Finishing**

- QTDV-S+MBB100/MBB200
高精度仿形铣削加工
High-precision Profile Milling



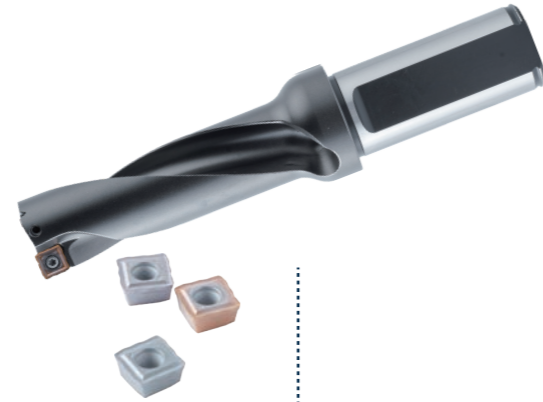
**精加工
Finishing**

- SP210-B2/BH2
高速精加工专用
Exclusive Use for High-speed Finish Machining



**孔加工
Drilling**

- QPMG+ GHDS
高效率浅孔钻
High Efficiency Shallow Hole Drill



- GUMD
高效率皇冠钻
High Efficiency Crown Drill



**深孔加工
Deep-hole Machining**

- D938
深孔内冷麻花钻
Deep-hole Internal Cooling Twist Drill



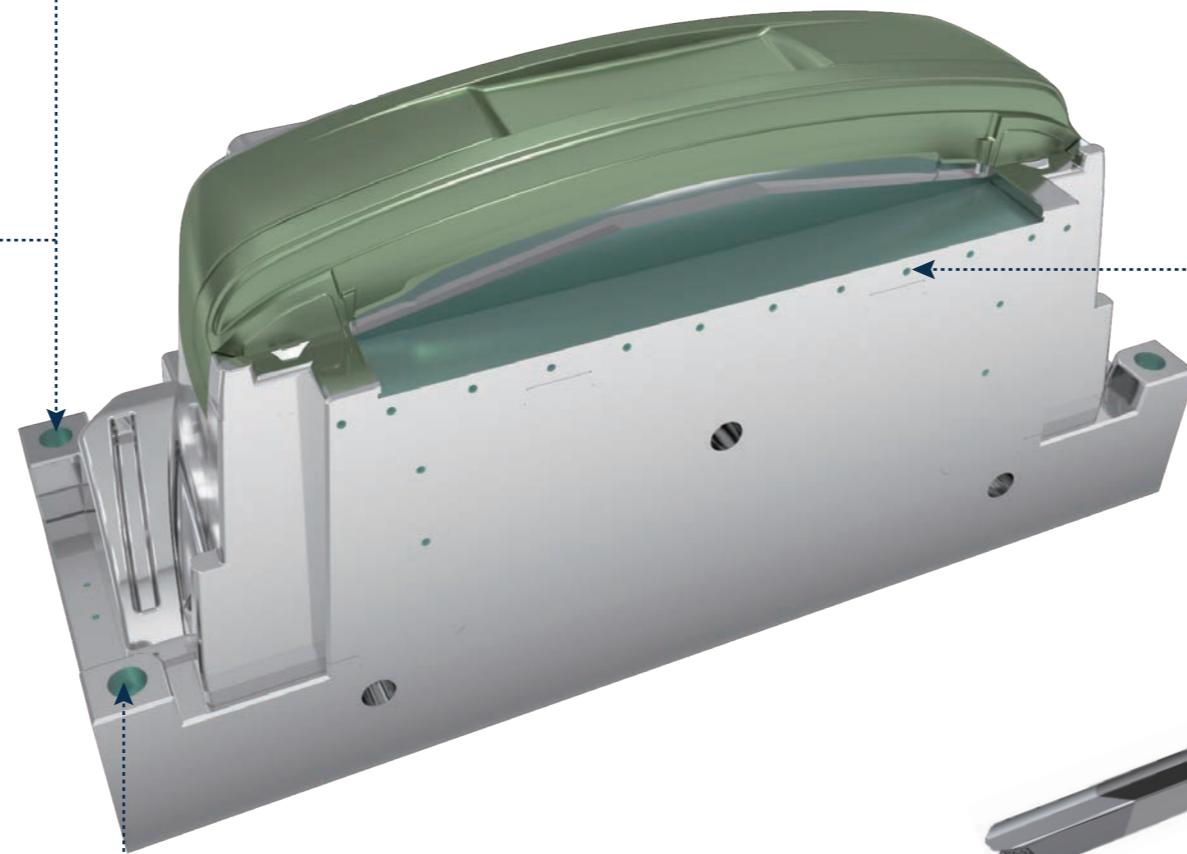
**深孔加工
Deep-hole Machining**

- TOGT+GQ101
高稳定性深孔钻
High Stability Deep Hole Drill



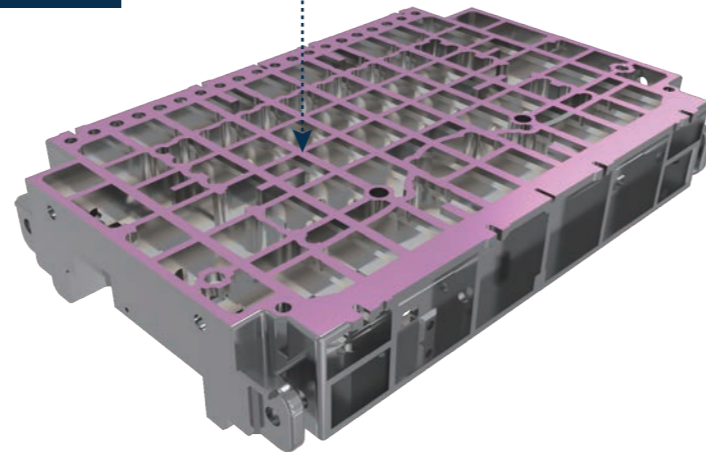
**高光洁度镗削加工
High Finish Boring**

- TPEH+GCK
高光洁度镗削加工
High Finish Boring



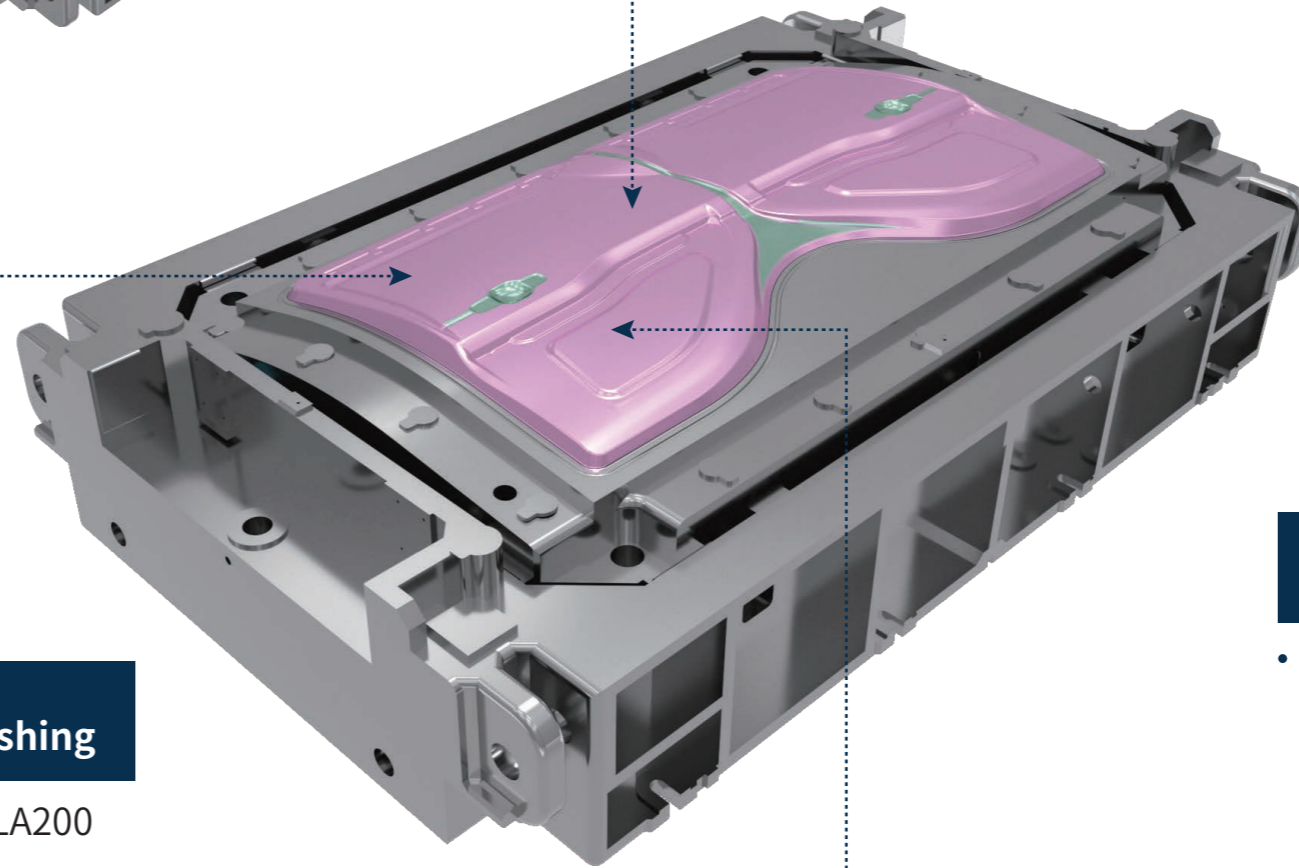
高经济型端面铣削
Cost-effective Face Milling

- HNGU+MFC115/MFC145
高经济平面铣削加工
Cost-effective Face Milling



铣削粗加工
Rough Milling

- RD/RP+MPA100/MPB100
通用仿形铣削加工
Universal Profile Milling



半精加工
Semi-finishing

- APMT+MEA190
通用方肩铣削加工
Universal Shoulder Milling



半精加工
Semi-finishing

- SMR-H+MLA200
仿形铣削加工
Profile Milling



**精加工
Finishing**

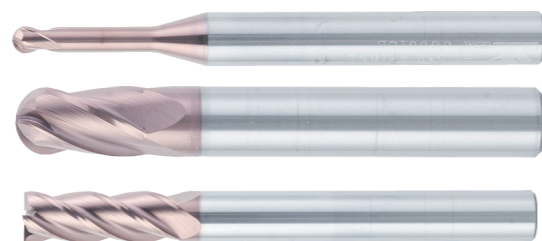
- QTDV-S+MBB100/MBB200
高精度仿形铣削加工
High-precision Profile Milling



- ZCEG+MRA100
高精度铣削加工
High-precision Face Milling



- SH360/SHM200
高精度铣削加工
High-precision Face Milling



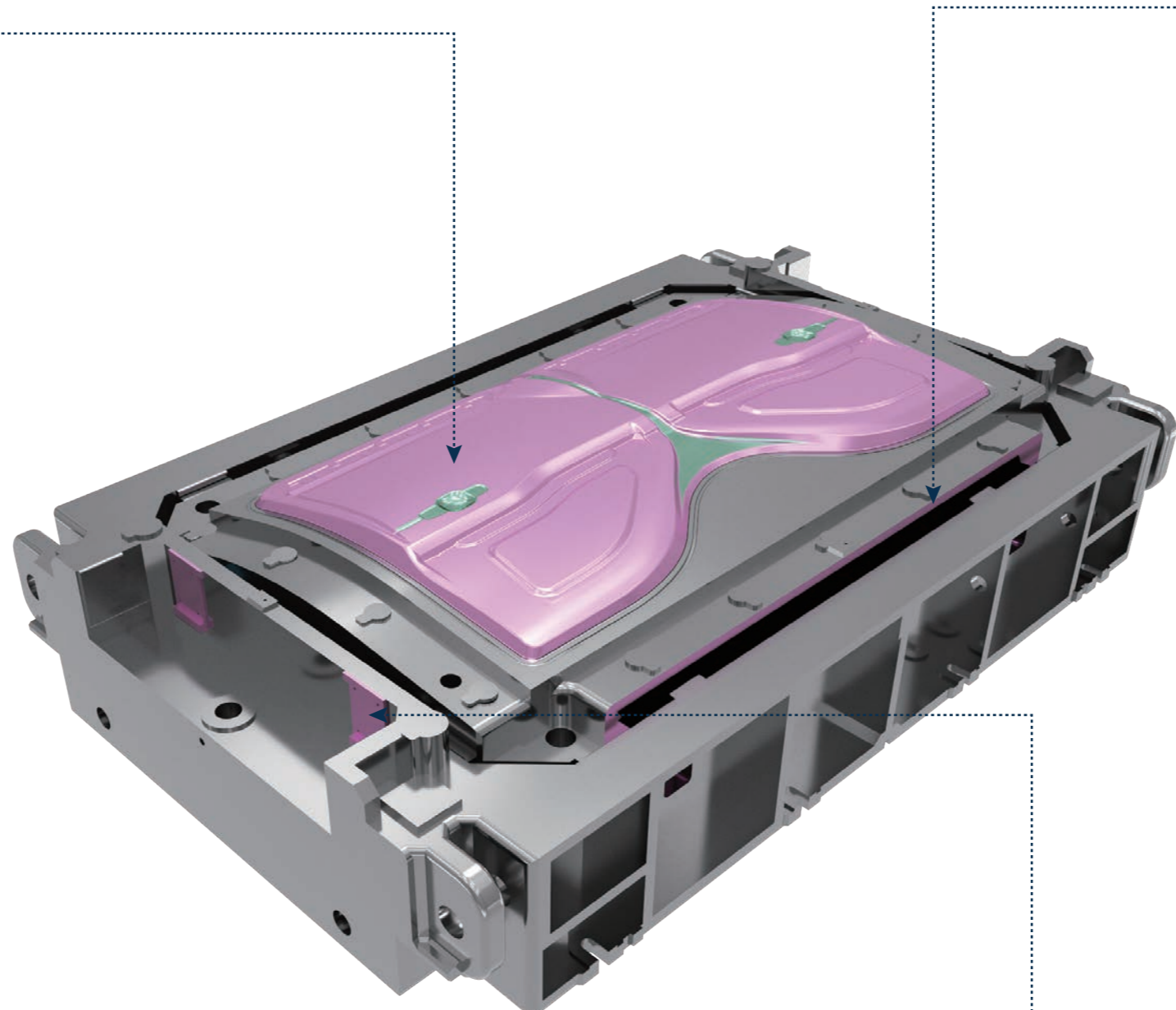
**圆周铣削
External Surface Milling**

- ANKX+MHC190
高效圆周铣削加工
High-efficiency External Surface Milling



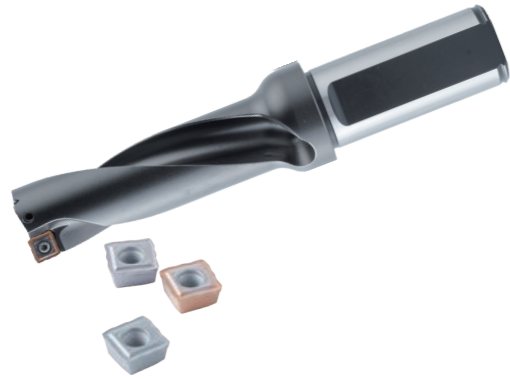
**凸台面及侧边铣削
Step and Side Milling**

- WNGU+MEE190
高经济型凸台面及侧边铣削加工
Cost Effective Step and Side Milling



孔加工 Drilling

- QPMG+ GHDS
高效率浅孔钻
High Efficiency Shallow Hole Drill

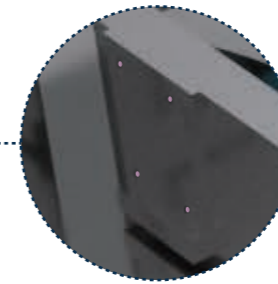
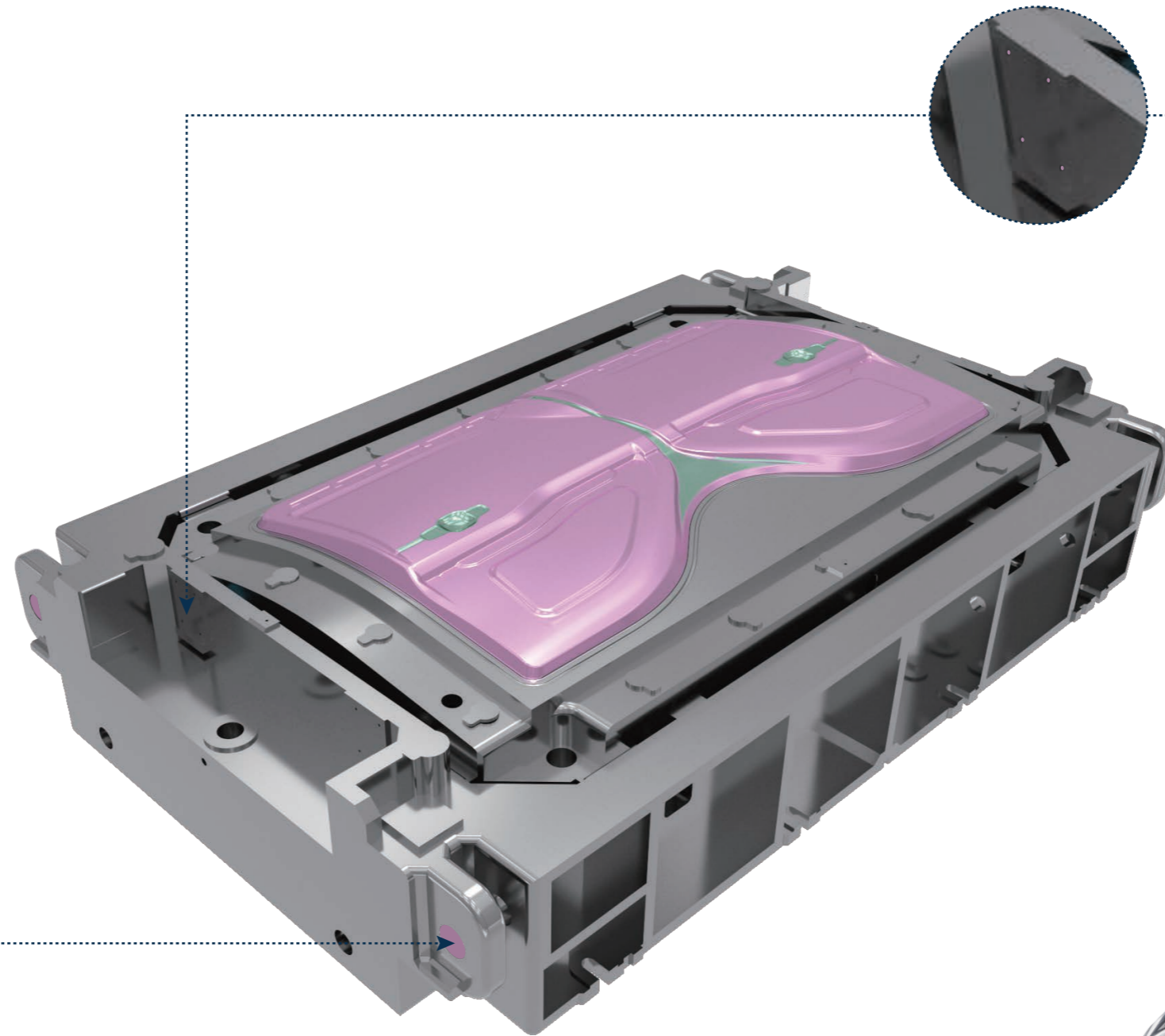


- GUMD
高效率皇冠钻
High Efficiency Crown Drill



深孔加工 Deep-hole Machining

- D938
深孔内冷麻花钻
Deep-hole Internal Cooling Twist Drill



高经济型端面铣削
Cost-effective Face Milling

- SNEU+MFB145/MFB245/MFB275/MFB288
高经济平面铣削加工
Cost-effective Face Milling
- 双面刀片适用于45°/75°/88°刀盘
Double-edge Inserts Match with Cutters 45°/75°/88°



快进给铣削粗加工
High-feed Rough Milling

- SDMT+MKB113
快进给铣削加工
High-feed Milling



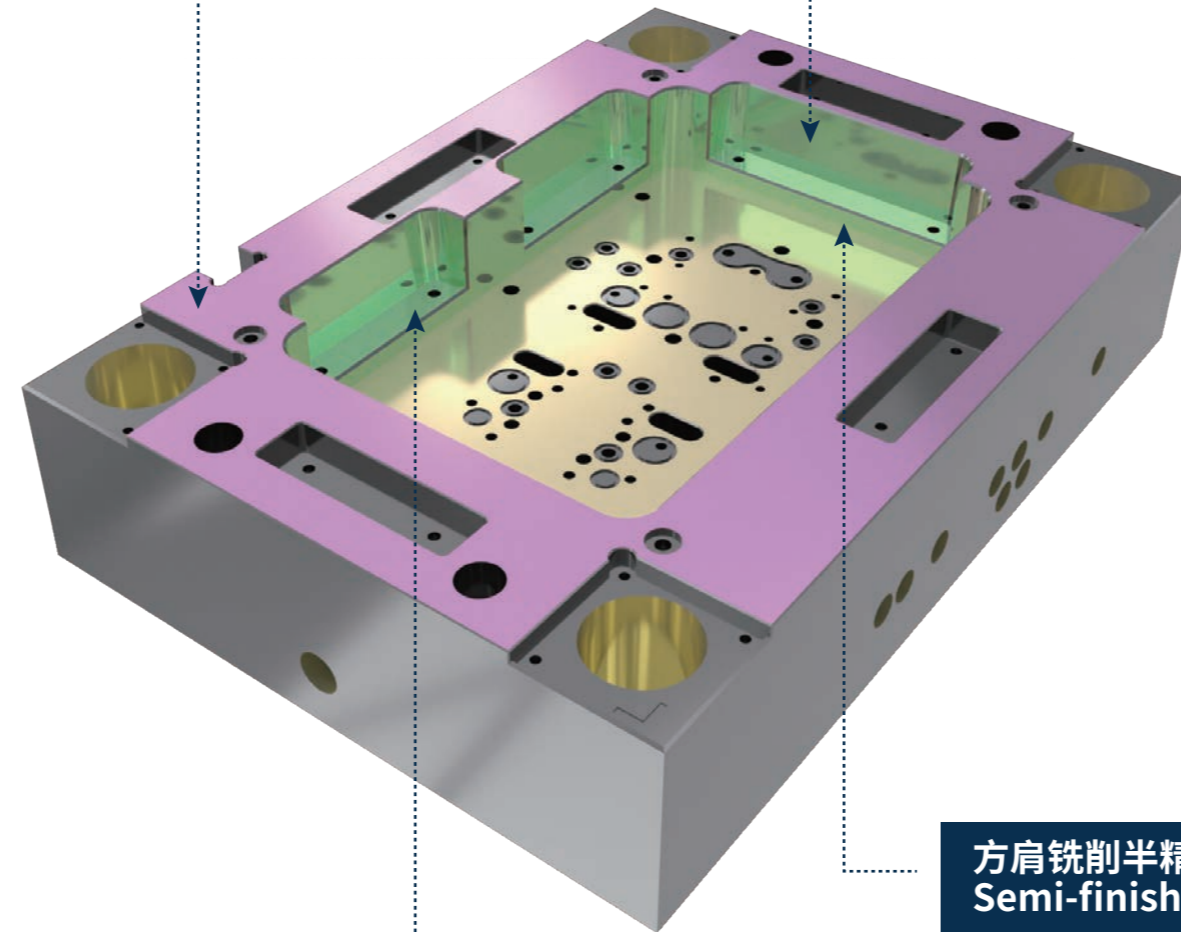
通用型腔铣削粗加工
Rough Finishing Pocket Milling

- RD/RP+MPA100/MPB100
通用仿形铣削加工
Universal Profile Milling



方肩铣削半精加工
Semi-finishing Shoulder Milling

- APKT+MEB190
通用方肩铣削加工
Universal Shoulder Milling



侧壁铣削精加工
Finishing of Boring Milling

- UP210-SL4
型腔侧壁精加工
Finishing Side Wall in Pocket Milling

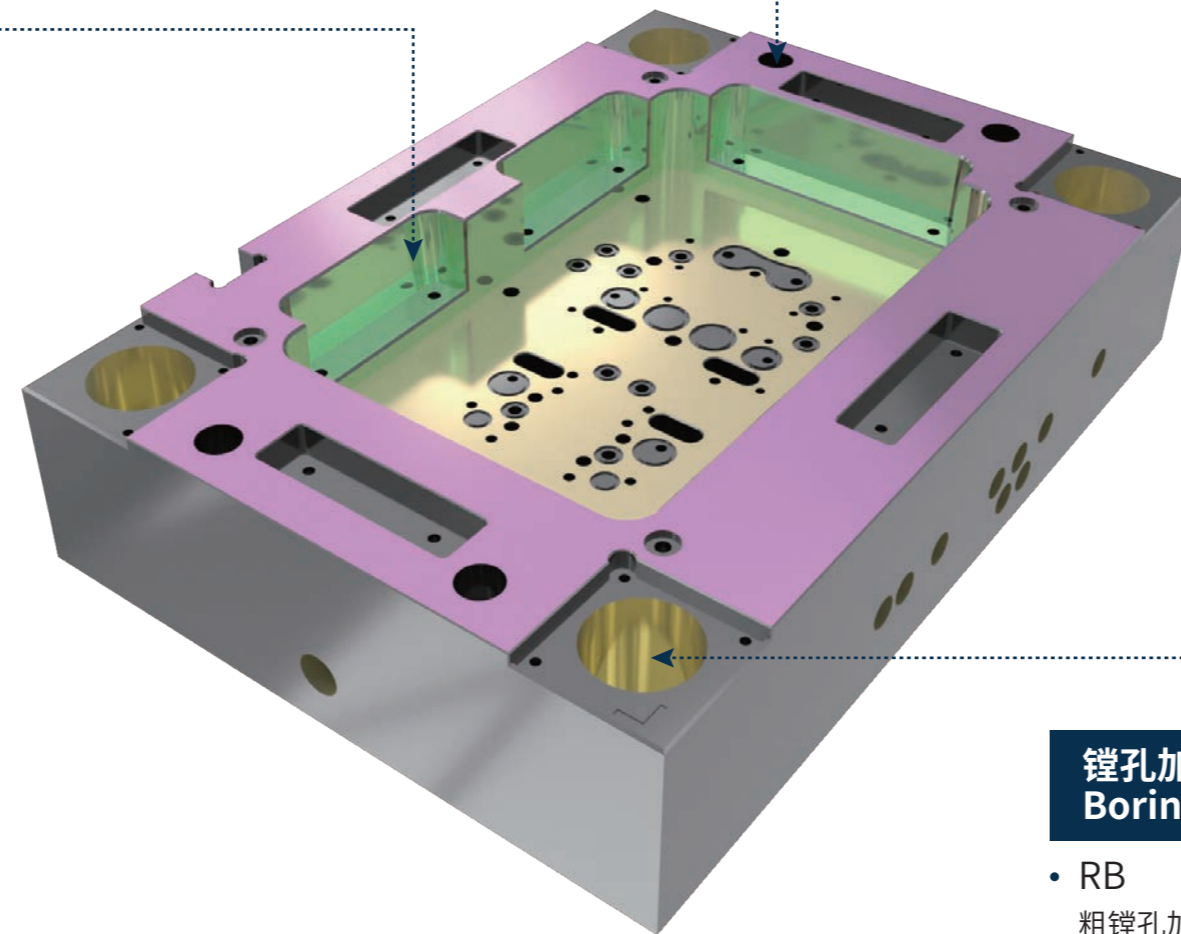


孔加工
Machining

- D938
内冷麻花钻
Internal Cooling Twist Drill



- QPMG+ GHDS
高效率浅孔钻
High Efficiency Shallow Hole Drill



镗孔加工
Boring Process

- RB
粗镗孔加工
Rough Finishing Boring Seires
- FB
精镗孔加工
Finishing Boring Seires

